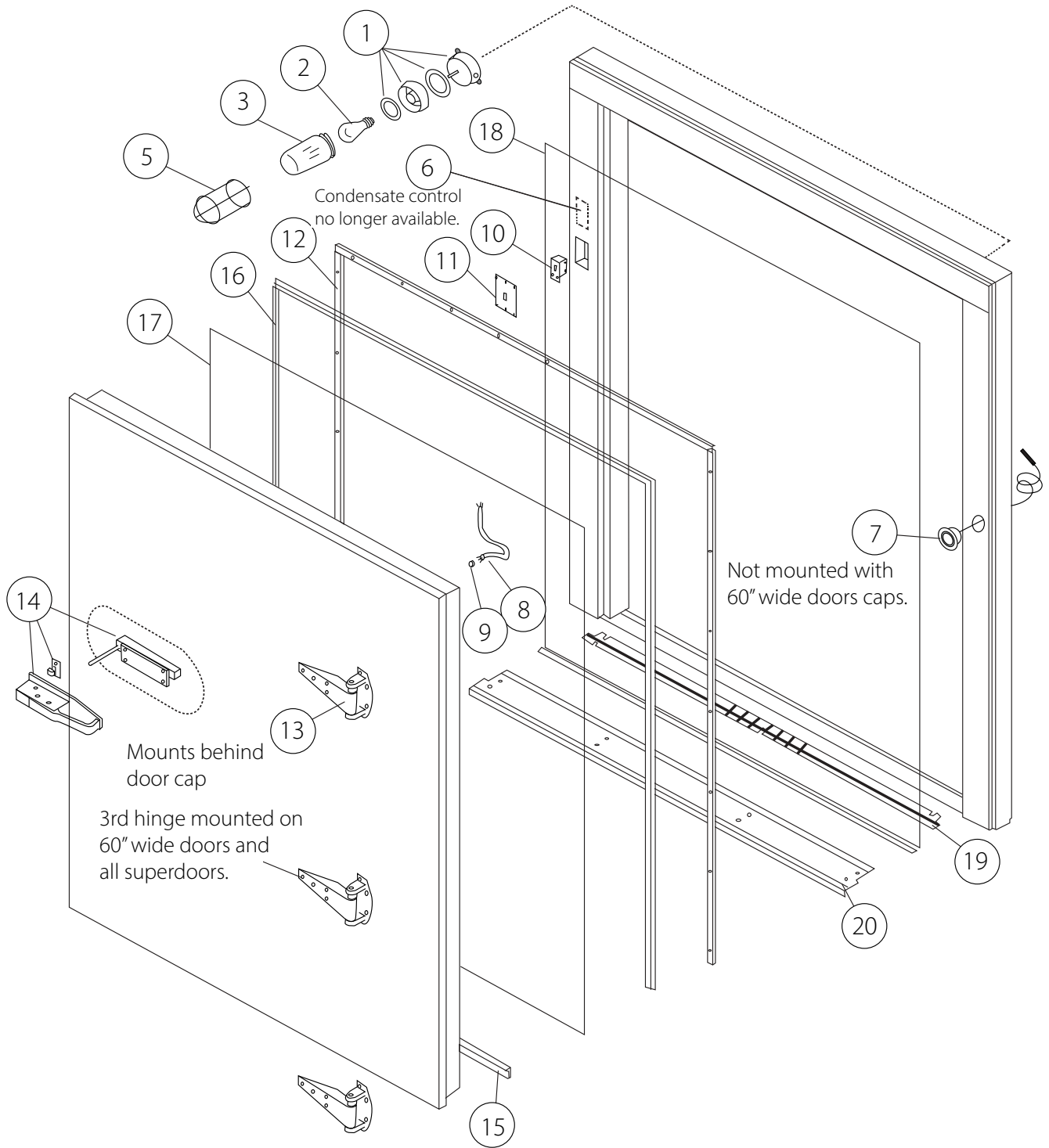


| Bally Most Common 24", 30", 34" & 36" Hinged Walk-In Door Replacement Parts | | |
|--|--------------|---|
| Key | Item# | Description |
| 1 | 064356 | VAPORPROOF LIGHT |
| 2 | 014936 | BULB |
| 3 | 017255 | LEXAN GLOBE |
| 5 | 017253 | WIRE GUARD |
| 6 | N/A | CONDENSATE CONTROL SWITCH |
| 7 | 018370 | 2" DIAL THERMOMETER WITH 4' CAP TUBE |
| | 000213 | 2" DIAL THERMOMETER WITH 6" STEM |
| 8 | 004291 | CROSSOVER CORD |
| 9 | 017308 | CROSSOVER CORD BUSHING |
| 10 | 017256 | LIGHT SWITCH |
| 11 | 017265 | LIGHT SWITCH COVER PLATE |
| 12 | 000230 | BEGINNING 1976 D1250 SATIN REVERSIBLE |
| 13 | 004413 | HINGE SHIM .032" |
| 14 | 004414 | HINGE SHIM .063" |
| 15 | 000232 | 01000 LATCH |
| 16 | 016610 | 24" WIPER GASKET |
| | 016614 | 30" WIPER GASKET |
| | 016611 | 34" WIPER GASKET |
| | 054028 | 36" WIPER GASKET |
| 17 | 016543 | 24" GASKET |
| | 017402 | 30" GASKET |
| | 016546 | 34" GASKET |
| | 054117 | 36" GASKET |
| 18 | 024826 | 24" CAP HEATER |
| | 024828 | 30" CAP HEATER |
| | 024830 | 34" CAP HEATER |
| | 024832 | 36" CAP HEATER |
| 19 | 004887 | 24" TOP DOOR STRIKE |
| | 004888 | 30" TOP DOOR STRIKE |
| | 004889 | 34" TOP DOOR STRIKE |
| | 051883 | 36" TOP DOOR STRIKE |
| | 047843 | 66" SIDE DOOR STRIKE |
| | 047844 | 78" SIDE DOOR STRIKE |
| | 047845 | 84" SIDE DOOR STRIKE |
| 20 | 088083 | 24" ALUMINUM BRAID FRAME HEATER |
| | 088083 | 30" ALUMINUM BRAID FRAME HEATER |
| | 088083 | 34" ALUMINUM BRAID FRAME HEATER |
| | 089060 | 36" ALUMINUM BRAID FRAME HEATER |
| 21 | 004417 | 24" HARDBOARD |
| | 004420 | 30" HARDBOARD |
| | 004418 | 34" HARDBOARD |
| | 051890 | 36" HARDBOARD |
| 22 | N/A | STAINLESS STEEL STEPPLATE CONSULT FACTORY |

MODEL NUMBERS MAY LOOK LIKE THIS:
 2478 3078 3478 3678
(lengths may vary)



Bally Most Common 42", 48", & 60" Door Replacement Parts

| Key | Item# | Description |
|-----|--------|---|
| 1 | 064356 | VAPORPROOF LIGHT |
| 2 | 014936 | BULB |
| 3 | 017255 | LEXAN GLOBE |
| 5 | 017253 | WIRE GUARD |
| 6 | N/A | CONDENSATE CONTROL SWITCH |
| 7 | 000213 | 2" DIAL THERMOMETER WITH 6" STEM |
| 8 | 004291 | CROSSOVER CORD |
| 9 | 017308 | CROSSOVER CORD BUSHING |
| 10 | 017256 | LIGHT SWITCH |
| 11 | 017265 | LIGHT SWITCH COVER PLATE |
| 12 | 004890 | 42" TOP STRIKE |
| | 004891 | 48" TOP STRIKE |
| | 004892 | 60" TOP STRIKE |
| | 047843 | 66" SIDE STRIKE |
| | 047844 | 78" SIDE STRIKE |
| | 047845 | 84" SIDE STRIKE |
| 13 | 016565 | D69B-2 HINGE SATIN FINISH |
| 14 | 016558 | D60 LATCH SATIN FINISH |
| 15 | 016612 | 42" WIPER GASKET |
| | 016612 | 48" WIPER GASKET |
| | 016613 | 60" WIPER GASKET |
| 16 | 032997 | 42" GASKET |
| | 016548 | 48" GASKET |
| | 016549 | 60" GASKET |
| 17 | 024835 | 42" DOOR CAP HEATER |
| | 024839 | 48" DOOR CAP HEATER |
| | 024801 | 60" DOOR CAP HEATER |
| 18 | 018292 | 42" DOOR FRAME HEATER |
| | 018293 | 48" DOOR FRAME HEATER |
| | 018291 | 60" DOOR FRAME HEATER |
| 19 | 051949 | 42" HARDBOARD FOR FRAME HEATER |
| | 004421 | 48" HARDBOARD FOR FRAME HEATER |
| | 004419 | 60" HARDBOARD FOR FRAME HEATER |
| 20 | N/A | STAINLESS STEEL STEPPLATE CONSULT FACTORY |