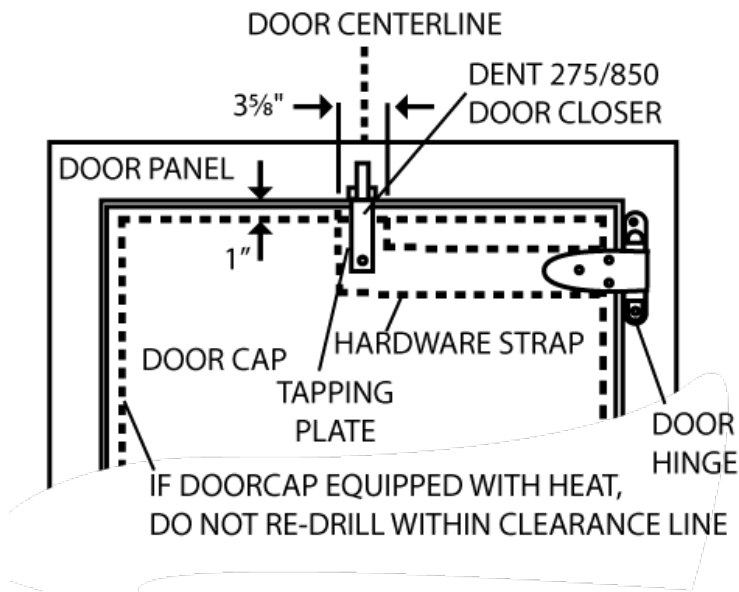


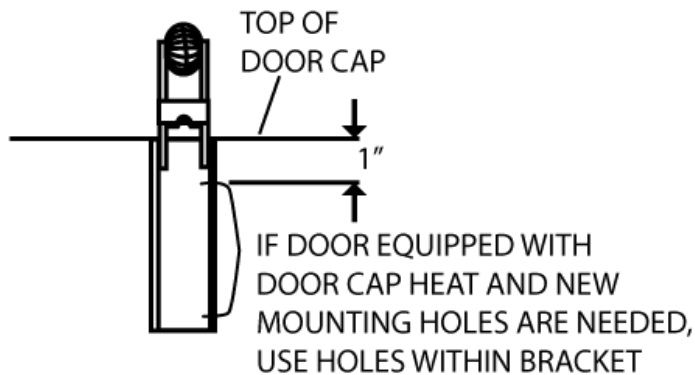
1. Remove existing door closer and inspect the condition threads of the mounting holes. If threads are stripped, see below recommendations for re-drilling mounting holes.
2. Using the existing mounting holes, install main body of door closer at the top of door cap and door closer hook to door panel using the new #10-24 1/2" screws provided.
3. Install cylinder to main body of closer with pins provided. The cylinder will install in only one direction. Install plastic cover over main body of door closer.
4. Pull roller arm of main body assembly towards interior of walk-in before allowing the door to close. The existing mounting holes will locate door closer to operate properly. No other adjustments should be necessary.

Recommendations for re-drilling mounting holes.

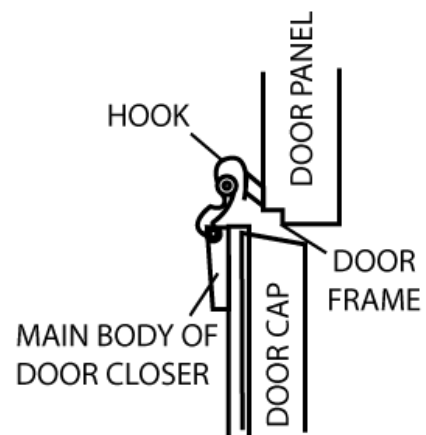
1. If new mounting holes are required, make sure to install them within the margin that represents factory installed tapping plate.
2. The door closer main body and hook will be arranged the same as the existing door closer.
3. If door cap is installed with a heater wire, do not drill within clearance area (See illustration).
4. Drill mounting hole with a #25 drill (approx. 15 in) and thread 10-24.
5. For door closer hook, drill and tap mounting holes for slotted holes first. When proper door closure operation is accomplished, drill and tap for remaining holes. The roller should touch and revolve slightly as it passes door closer hook.



**MOUNTING HOLES FOR
MAIN BODY OF DOOR CLOSER**



**SECTION OF DOOR PANEL
AND DOOR CLOSER**



**MOUNTING HOLES FOR
HOOK OF DOOR CLOSER**

